

REV.	DESCRIPTION	DRAWN	CHECKED	APPROVED
A	NEW RELEASE	LJC 04/07/09'		LJC 04/07/09'
B	ADD P/N CODE	JLZ 11/24/14'		

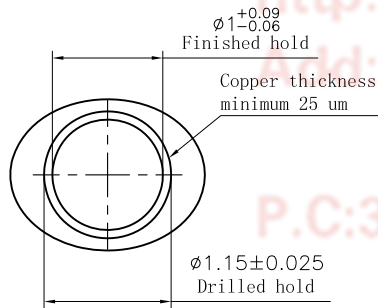
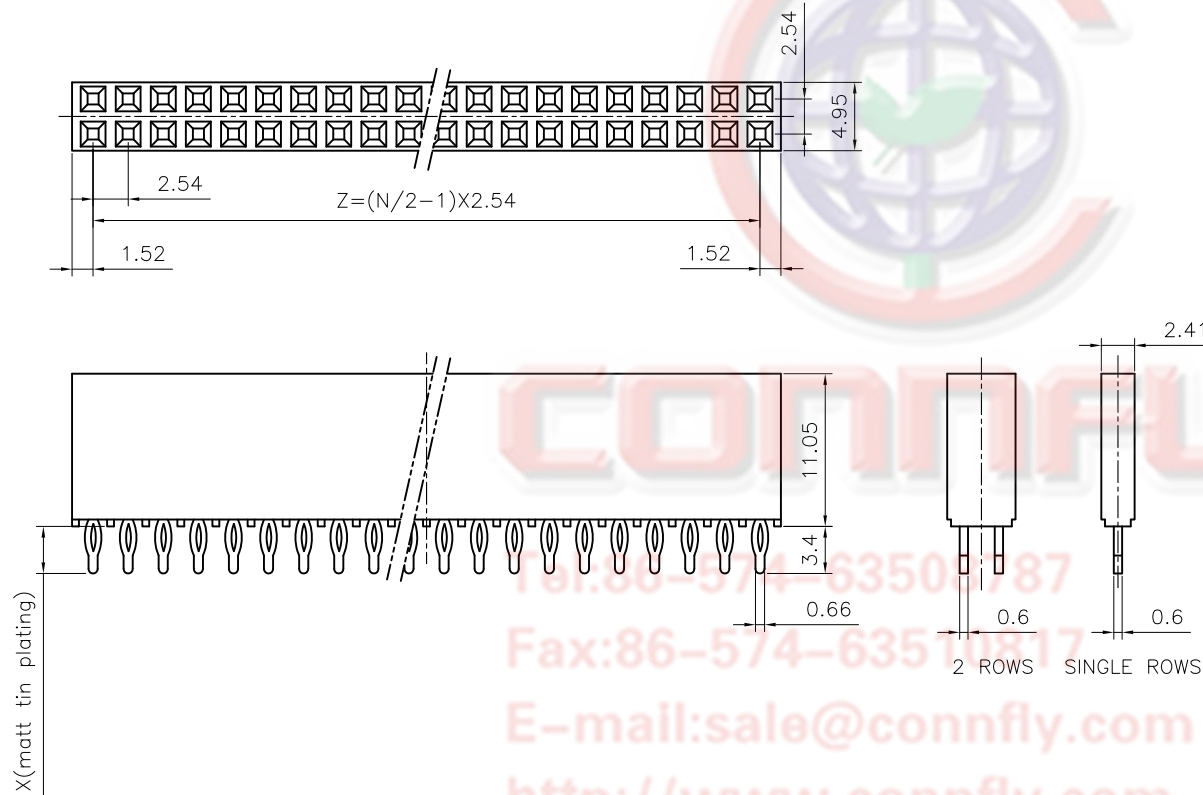
NOTES:

- Material:  
Insulator: PBT With glass fiber. UL94 V-0.  
Contact: Copper alloy.
- Electrical performance  
Current rating: 1.9A.  
Contact resistance: 20mΩ maximum.  
Insulation resistance: 1000MΩ minimum.  
Dielectric withstanding voltage: 500V AC(r.m.s) per 60s.
- Environment performance:  
Temperature range: -55°C~+125°C.
- Mechanical performance:  
Mating force: 150g per pin maximum.  
Withdrawal force: 30g per pin minimum.  
Press-In force: 8Kgf per maximum.
- Recommend PCB thickness: 1.6mm
- Product number code:  
PC104-001 - XX X X

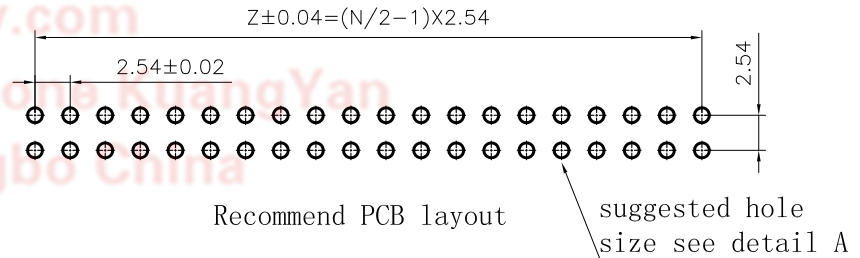
- Contact plating:  
1: Selective 10u" gold(contact area)  
3: Selective 30u" gold(contact area)  
6: Full Matt Tin(General Mode)

Color:  
B: Black  
A: Gray

No. of positions: (B)  
1\*2 ~ 1\*50  
2\*2 ~ 2\*50



Detail A(10:1)



GENERAL TOLERANCE		ANGLE TOLERANCE	
X.	±0.60	X.	±5°
.X	±0.38	.X	±3°
.XX	±0.25	.XX	±2°

DRAWING TYPE	CUSTOMER		
SCALE	1:1	SHEET	1 OF 1
DRAWING NO.	C-PC104-001-XXXX-B		

PROJECTION	TITLE	PC/104 Non Stack V/T Type	
		SERIES	PC104-001 SERIES

晨翔电子有限公司  
CONNFLY CONNFLY ELECTRONIC CO. LTD