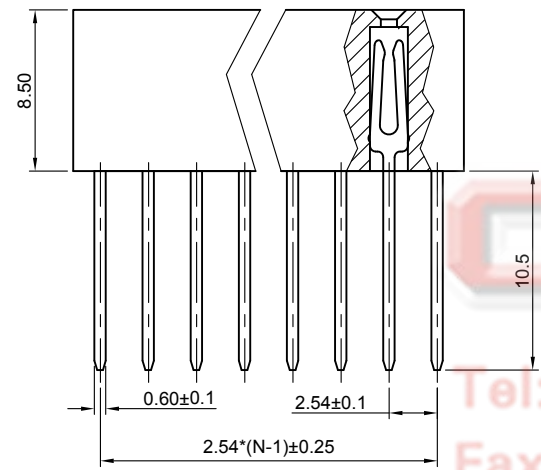
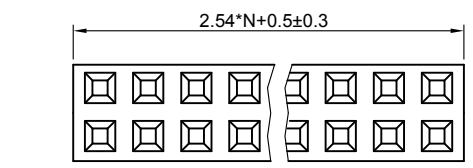


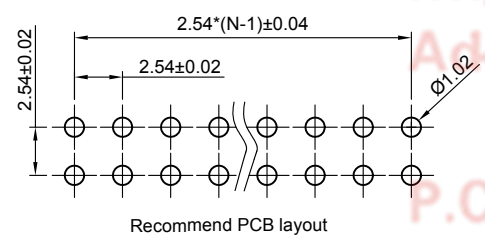
Dept	
Qty	
DC	1
ED	1
IE	1
ISO	1
PD	1
R&D	1
SD	1
QA	1
QC	1
QE	1

REV.	DESCRIPTION	DRAWN	CHECKED	APPROVED
A	NEW RELEASE	JLZ 08/26/14'		LJC 08/26/14'
B	DRAWING UPDATE	JLZ 03/09/20'		

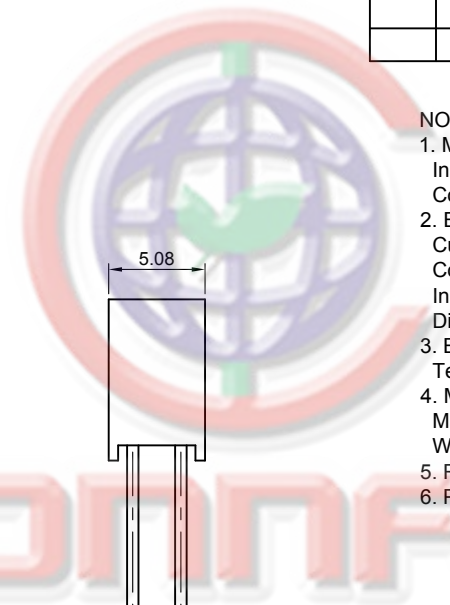
The information provided herein is from CONNFLY Electronic Co., Ltd. and is confidential. Any disclosure to a party other than the recipient is prohibited. The intellectual properties and its rights contained herein, including but not limited to, trademarks, patents, copyrights, trade secrets, and technical know-how, are owned exclusively by CONNFLY or its affiliates. Unauthorized use or reproduction of any part of this drawing without the prior written consent of CONNFLY is strictly prohibited. CONNFLY may enforce its intellectual property rights at its own discretion, failures or delays to exercise such rights does not constitute a waiver of such rights.



N=No. of positions/2



Recommend PCB layout



Tel:86-574-63508787
 Fax:86-574-63510817
 E-mail:sale@connfly.com
 http://www.connfly.com
 Add:East Industry Zone KuangYan
 Town Cixi Ningbo China
 P.C:315333

NOTES:

- Material:
Insulator: PBT With glass fiber. UL94 V-0.
Contact: Copper alloy.
- Electrical performance
Current rating: 1.9A.
Contact resistance: 20mΩ maximum.
Insulation resistance: 1000MΩ minimum.
Dielectric withstanding voltage: 500V AC(r.m.s) per 60s.
- Environment performance:
Temperature range: -40°C~+105°C.
- Mechanical performance:
Mating force: 150g per pin maximum.
Withdrawal force: 30g per pin minimum.
- Recommend PCB thickness: 1.6mm
- Product number code:

PC104-013 - XX X X


- Contact plating:
0: Selective gold flash.(contact area)
1: Selective 10u" gold(contact area)
3: Selective 30u" gold(contact area)
6: Full Matt Tin(General Mode)
8: Full gold flash(General Mode)
- Color:
B: Black

No. of positions:
2x2 ~ 2x40

GENERAL TOLERANCE		ANGLE TOLERANCE	
X.	±0.60	X.	±5°
.X	±0.38	.X	±3°
.XX	±0.25	.XX	±2°
DRAWING TYPE	CUSTOMER		
SCALE	1:1	SHEET	1 OF 1
DRAWING NO.	C-PC104-013-XXXX-B		

PROJECTION		TITLE	PC/104 Non Stack Double Row
UNITS	mm	V/T Type tail Length10.5mm	
SHEET SIZE	A4	SERIES	PC104-013 SERIES

FOR ELTECH ONLY



晨翔电子有限公司
 CONNFLY CONNFLY ELECTRONIC CO. LTD